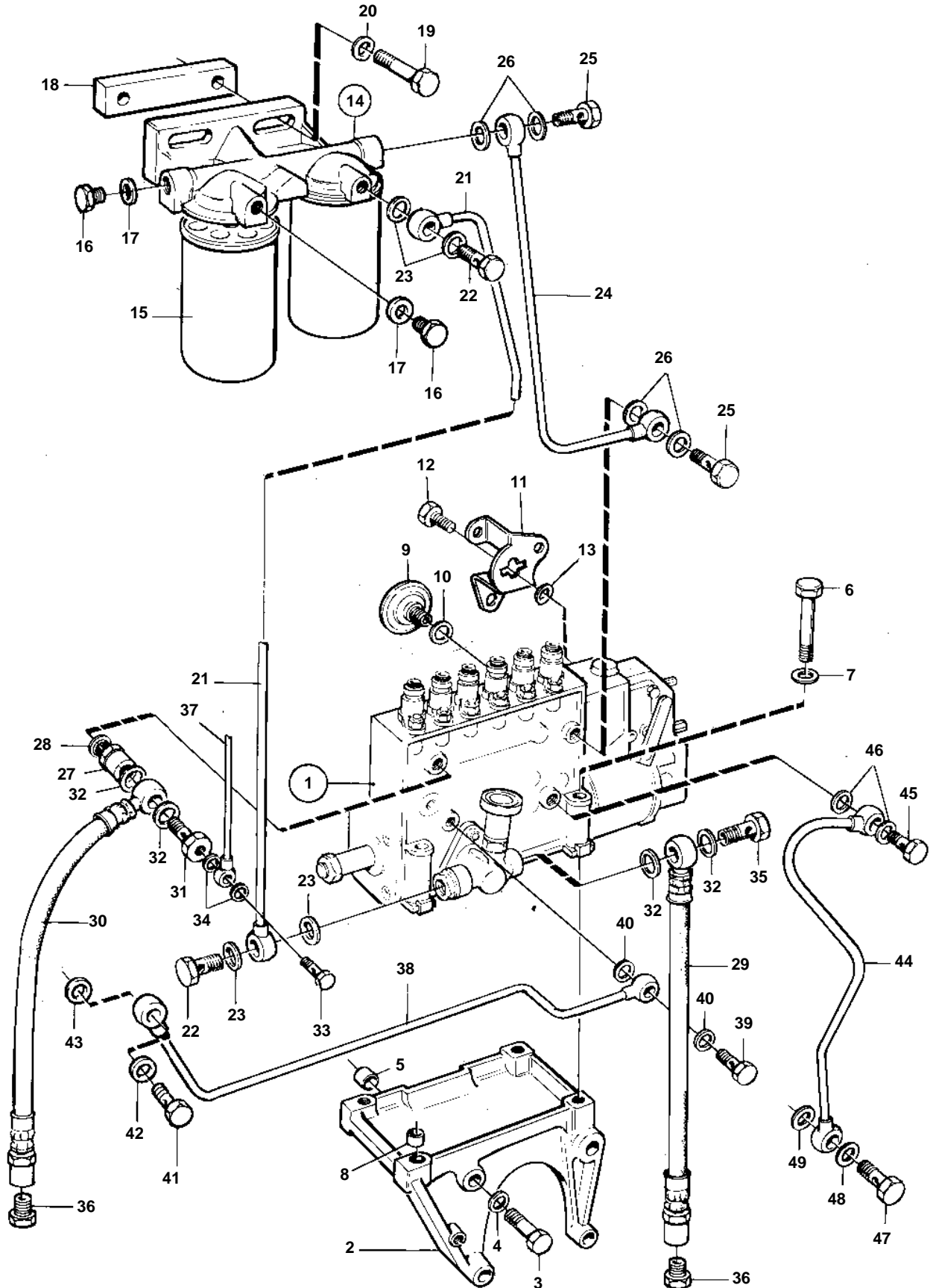


TMD102A



11800

TMD102A

REF	PART NO.	QTY	DESCRIPTION	SEE SEC.	NOTES
1	849194	1	Injection pump		
	3803765	1	Injection pump, exch		Exchange unit
				2830	
2	468558	1	Bracket		
3	955566	4	Screw		
4	940280	4	Spring washer		
5		2	Guide sleeve		
6	940156	4	Screw		
7	190509	4	Washer		
8	417588	1	Guide sleeve		
9	477173	1	Pressure equalizer		
10	969011	1	Gasket		
11	848677	1	Lever		
12	955270	1	Screw		
13	941906	1	Spring washer		
14	471172	1	Filter housing		REPLACED BY 1676832
				2836	
15	466987	2	Fuel filter		
16	960630	3	Plug		
17	969011	3	Gasket		
18		1	Spacer		Connected together with oil pressure pipe for power take off.
19	955536	2	Screw		
20	942336	2	Spring washer		
21	846827	1	Tube		
22	25167	2	Hollow screw		
23	969011	2	Gasket		
24	846828	1	Tube		
25	25167	2	Hollow screw		
26	969011	2	Gasket		
27	35096	1	Overflow valve		
28	15304	1	Gasket		
29	845372	1	Fuel hose		L=300mm, REPL BY 866964
30	849076	1	Fuel hose		REPL BY 866964
31	16496	1	Hollow screw		
32	969011	4	Gasket		
33	74033	1	Hollow screw		
34	947620	2	Gasket		
35	25167	1	Hollow screw		
36	22753	2	Nipple		
37	846805	1	Leak-off pipe		
38	422245	1	Pressure oil line		
39	48634	1	Hollow screw		
40	947281	2	Gasket		
41	837709	1	Hollow screw		Connected together with oil pressure pipe for power take off.
42	11994	1	Gasket		
43	18666	1	Gasket		
44	422246	1	Pipe, oil drain		
45	25167	1	Hollow screw		
46	969011	2	Gasket		
47	942007	1	Hollow screw		
48	11998	1	Gasket		
49	942703	1	Gasket		